

WamBam

Fun Name. Serious Fence.

PLAIN JANE VINYL GATE (5'H X 4'W)

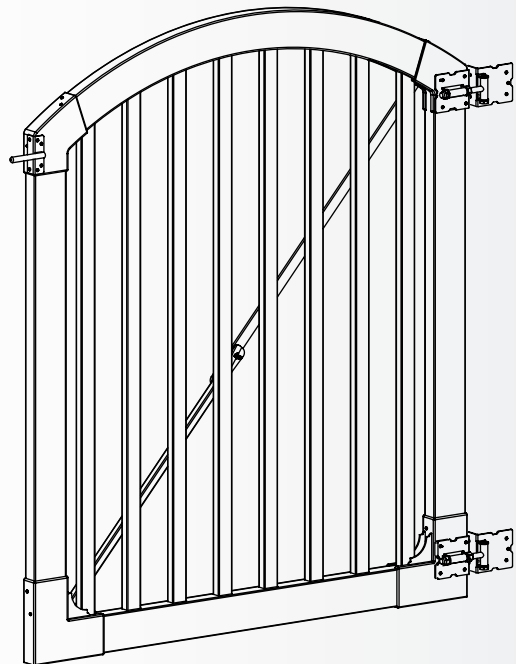
ASSEMBLY INSTRUCTIONS VG24200

60 MIN

Approximate assembly time

*Want to see a video on how to
assemble this product?*

Scan the QR code



GENERAL INFORMATION



IMPORTANT

- ⊕ Check the inside of the larger pieces in your box for other materials packed inside.
- ⊕ When assembling components, place on a non-abrasive surface (i.e. shipping box) to avoid scratching.
- ⊕ We recommend an area approximately 5'x 8' for unobstructed assembling.
- ⊕ You should not need to use excessive force when assembling components.

MISSING OR DAMAGED PARTS?

VISIT OUR WEBSITE FIRST, SO WE CAN HELP YOU RIGHT AWAY!

Although great care has been taken to ensure proper packaging and handling of this product, occasionally problems occur. If you discover any missing, damaged, or defective parts, please visit our website to order replacement parts. If you experience any further trouble with your product, please contact our customer care department.

🌐 parts.nychbrands.com

✉ hmmm@wambamfence.com

📞 **704-892-5222 / 877-778-5733**

Customer service agents are available to take calls weekdays from 9am-5pm EST. If you call outside of business hours, please leave a voicemail.

To help you quickly and accurately, please have reference item number **VG24200** and the specific part name which can be found on page 5. It is helpful if you can provide the batch lot which is a stamped number inside the box.

NEED ASSEMBLY HELP?

Please give us a call at 704-892-5222 / 877-778-5733.

If you are having problems with the assembly or installation of this product, we are happy to assist you with the process.

NEED TO RETURN?

If for some reason you need to return this product, please allow us to help resolve your issues first. If you still decide to return the product, **you will need to initiate the return from the company you originally purchased from.**

GENERAL INFORMATION

1. Read over fence instructions first.

Your gate and fence will work better together if you first take the time to read and understand your fence.

2. Pre-assemble the gate frame.

Please do not screw the gate frame together until you have temporarily assembled the gate frame. In other words, do a dry run first. This will ensure:

1. That you have everything necessary to complete the gate.
2. That you will have assembled the gate frame in the correct order.
3. All of the pieces fit and function properly.
4. The gate height and width are similar to the measurements shown on page four.

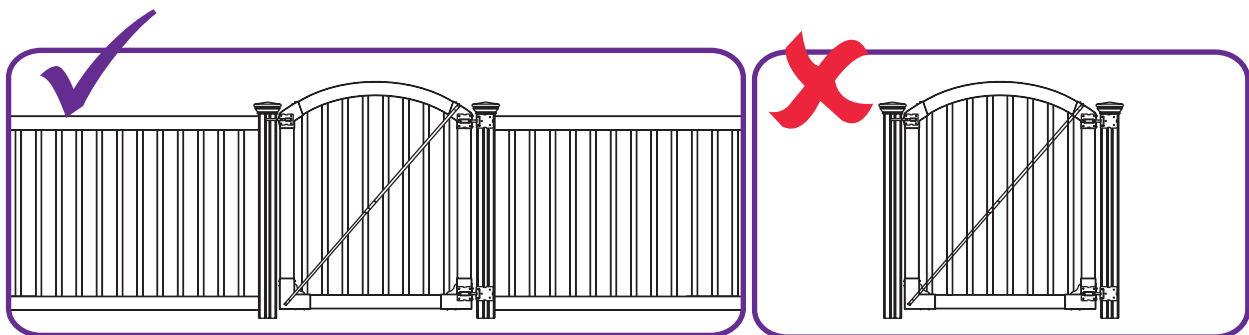
It's easier to troubleshoot when things are not screwed together. After you assemble your gate correctly, please disassemble as necessary, and use the included self-drilling stainless steel screws to permanently assemble the gate.

3. Install your gate posts before your fence posts.

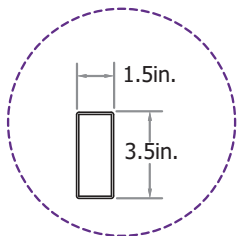
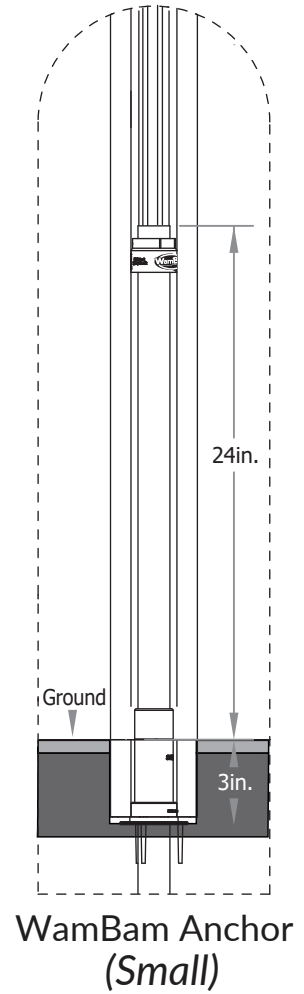
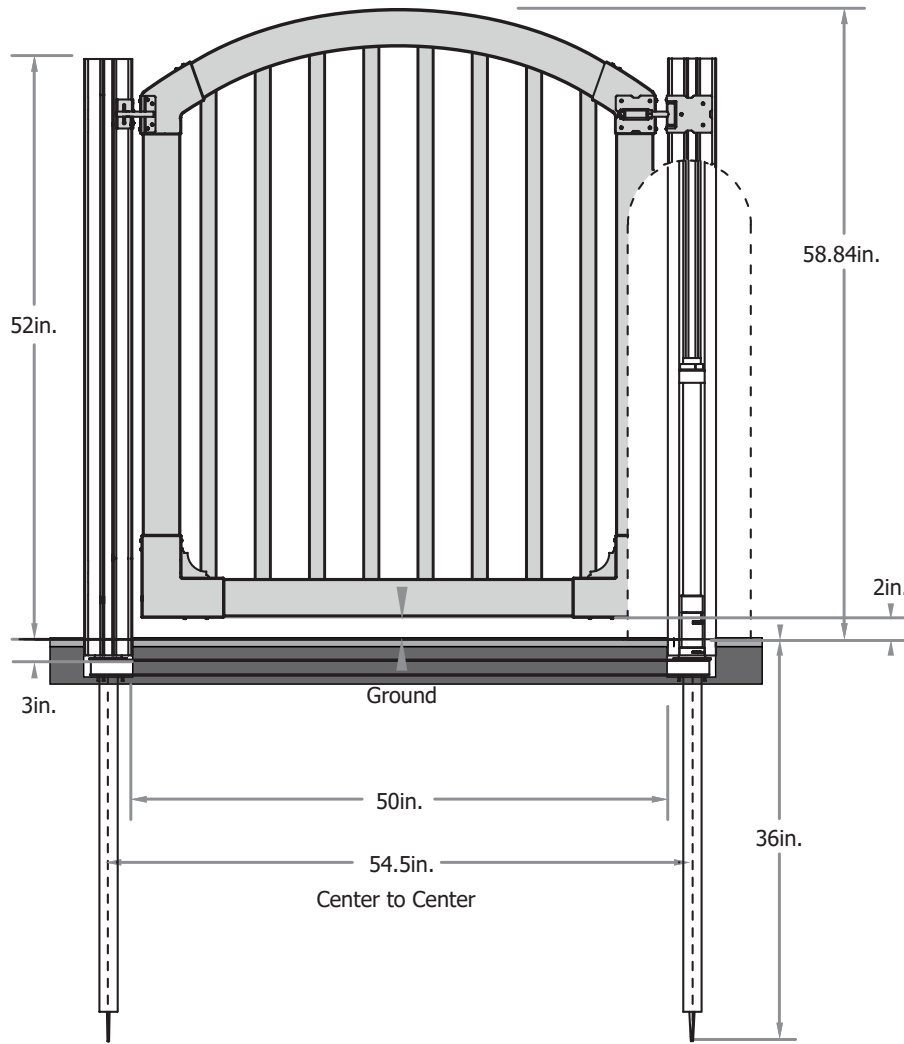
Your fence panels will be more forgiving for a custom fit than your gate. Position and install your gate posts before you do anything else.

4. Do not hang your gate system off a single non-supported post.

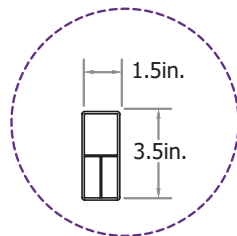
Your gate will perform better and last longer if your hinge post is connected to a panel of fence that is connected to another post. This way, the weight strain will be transferred onto two posts versus just one. Installing fence panels on both sides of your gate is ideal in all situations. If this is not possible because of space restrictions, please contact us for alternative solutions.



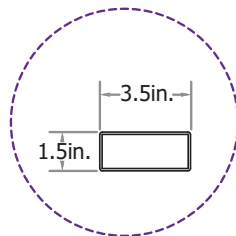
DETAILED PRODUCT DIMENSIONS AND SPECIFICATIONS



Top Rail

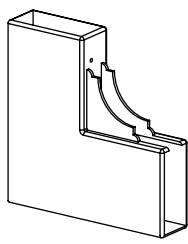
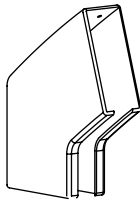
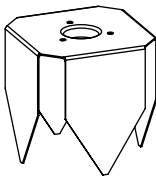
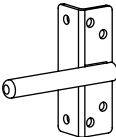
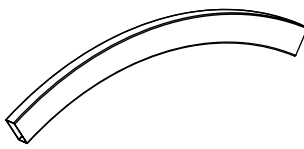
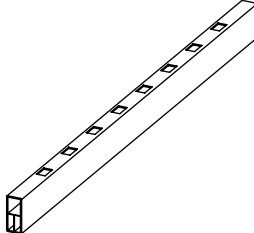


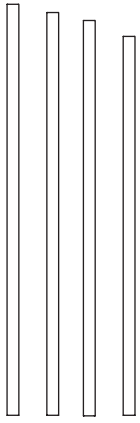
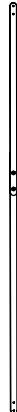



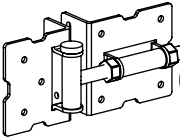
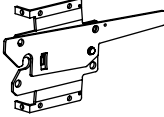
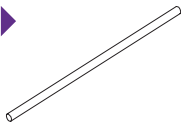


Bottom Rail



Vertical Stiles

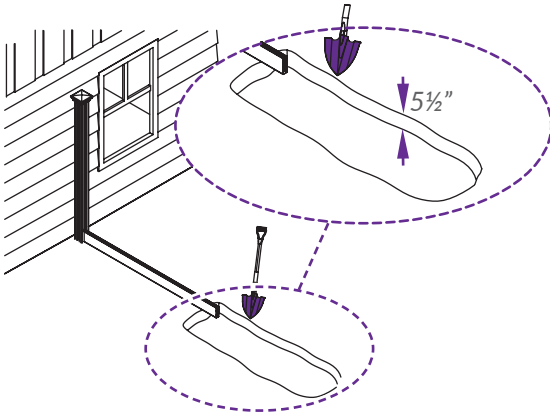
STEP 1: LAY OUT MATERIALS

<p>A</p>  <p>Corner Bracket (2)</p>	<p>B</p>  <p>Arch Bracket (2)</p>	<p>C</p>  <p>Metal Post Stabilizer (1)</p>	<p>L</p>  <p>Latch Finger (1)</p>
<p>D</p>  <p>Top Rail (1) 1½" x 3½" x 42½"</p>	<p>E</p>  <p>Bottom Rail (1) 1½" x 3½" x 47¾"</p>	<p>F</p>  <p>Vertical Stile (2) 1½" x 3½" x 45"</p>	<p>M</p>  <p>1¼" White Self-Drilling Stainless Steel Screw (16)</p>
<p>G</p>  <p>Picket (8) #1 (2) - 7/8" x 1½" x 54¼" #2 (2) - 7/8" x 1½" x 53½" #3 (2) - 7/8" x 1½" x 52½" #4 (2) - 7/8" x 1½" x 50"</p>	<p>H</p>  <p>Gate Brace w/ Fasteners (1)</p>	<p>I</p>  <p>Gate Jig (1) 1½" x 3½" x 57¾"</p>	<p>N</p>  <p>1¼" Black Self-Drilling Stainless Steel Screw (24)</p> <p>O</p>  <p>2" Black Self-Drilling Stainless Steel Screw (14)</p> <p>J</p>  <p>Hinge (2)</p> <p>K</p>  <p>Latch Catch (1)</p> <p>P</p>  <p>2¾" Gate Tension Pin (1)</p>

STEP 2: INSTALL GATE JIG, POST ANCHORS, AND POSTS

STEP 2.1 ▶

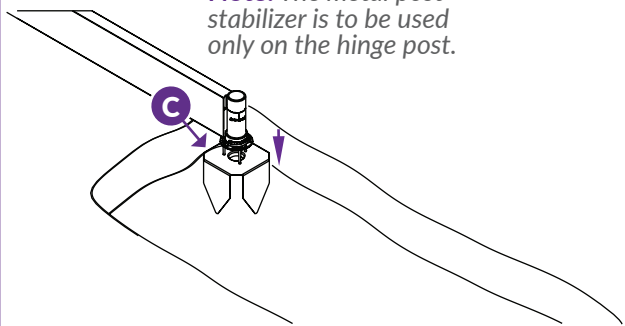
▶ Identify the location of your gate. Dig a trench 60" long x 6" wide x 5½" deep.



STEP 2.2 ▶

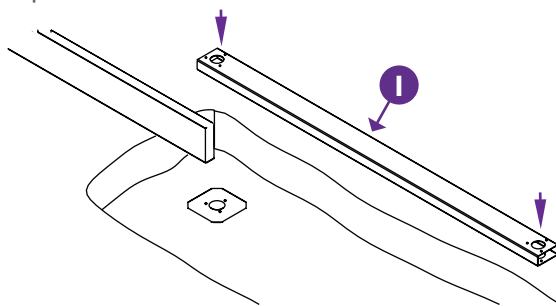
▶ Identify the location of the Metal Post Stabilizer (C) and pound it into the ground. Temporarily place the anchor positioner into the metal post stabilizer and determine position.

Note: The metal post stabilizer is to be used only on the hinge post.



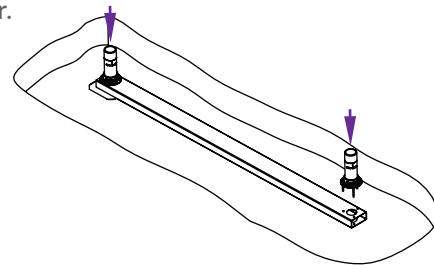
STEP 2.3 ▶

▶ Place the Gate Jig (I) over the metal post stabilizer.



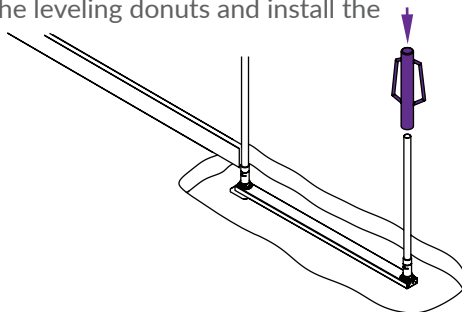
STEP 2.4 ▶

▶ Place the anchor positioners into the gate jig. The pegs on the bottom of the anchor positioners will insert into both the gate jig and the metal post stabilizer.



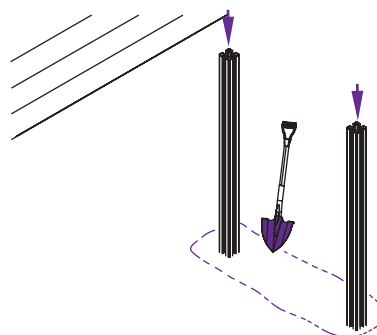
STEP 2.5 ▶

▶ Pound your post anchors into place. See fence instructions, if necessary, for more information on how to install anchors. Adjust the leveling donuts and install the posts.



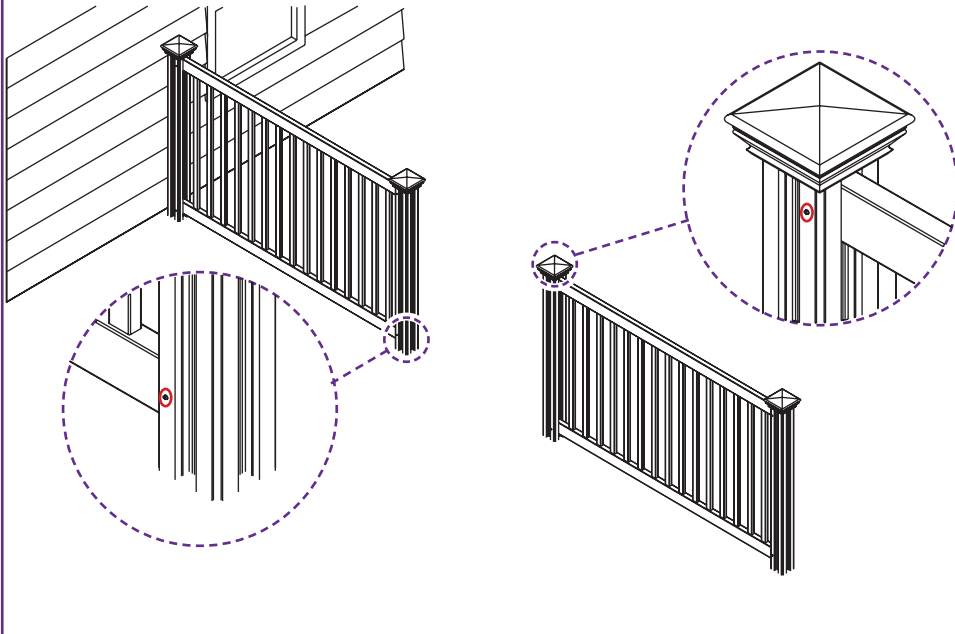
STEP 2.6 ▶

▶ Backfill the excavated dirt over the gate jig.



STEP 2.7

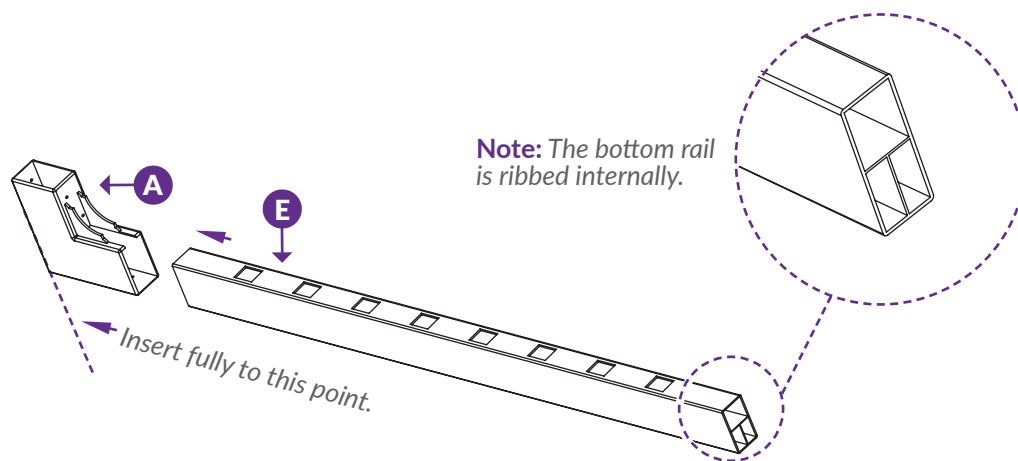
▶ Make sure to fasten the fence panels before attaching the gate.



STEP 3: ASSEMBLE THE GATE FRAME BOTTOM AND SIDES

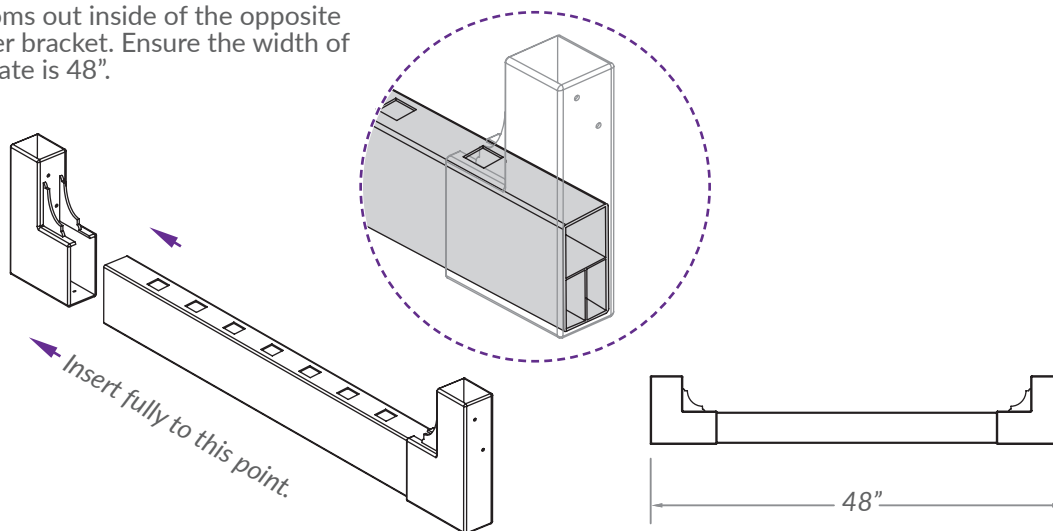
STEP 3.1

▶ Insert the Bottom Rail (E) until it bottoms out inside the Corner Bracket (A).



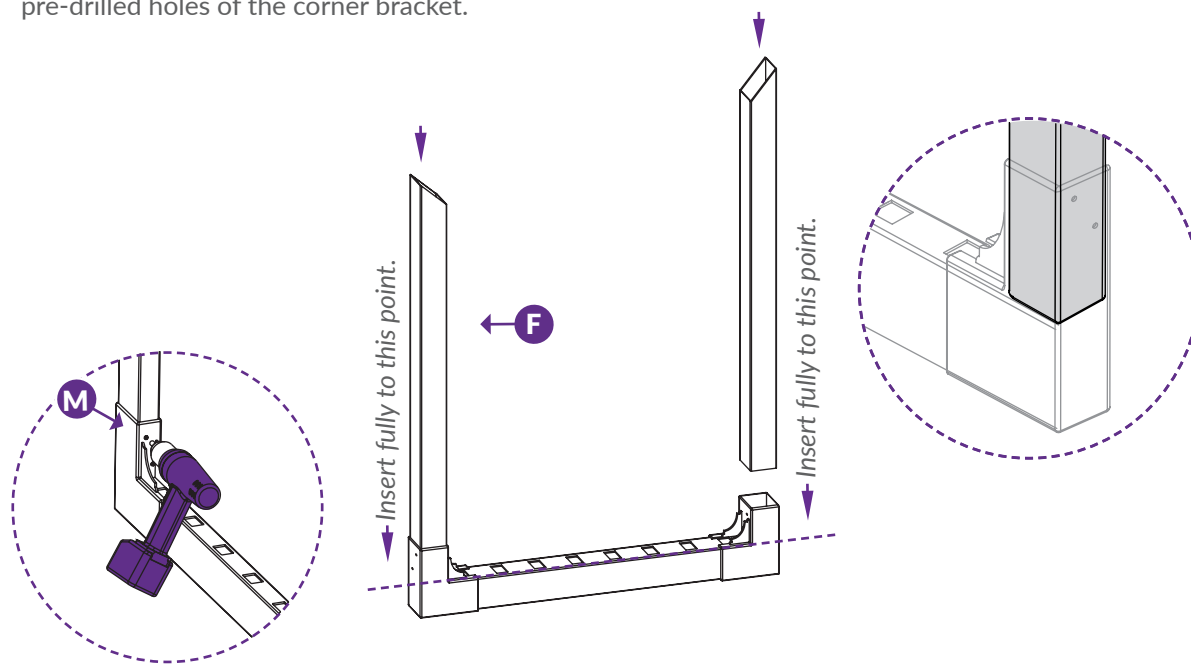
STEP 3.2

▶ Insert the bottom rail until it bottoms out inside of the opposite corner bracket. Ensure the width of the gate is 48".



STEP 3.3

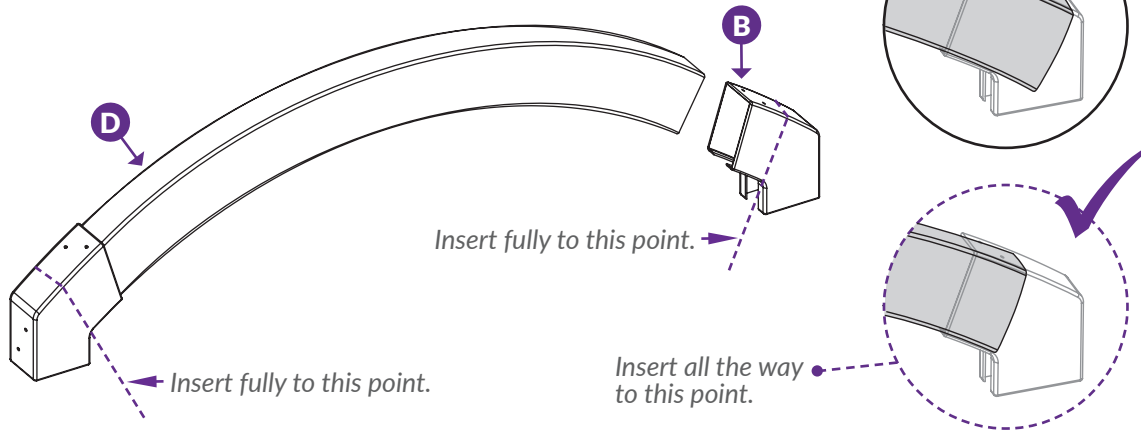
▶ Insert (2) Vertical Stiles (**F**) into the corner brackets until they hit the bottom rail. Drive (4) total 1 1/4" White Self-Drilling Stainless Steel Screws (**M**) into the inner pre-drilled holes of the corner bracket.



STEP 4: ASSEMBLE THE GATE FRAME TOP

STEP 4.1

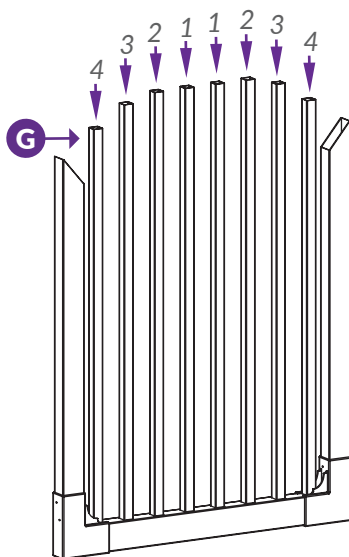
▶ Insert the Top Rail (D) inside the Arch Brackets (B) as illustrated.



STEP 5: INSERT PICKETS

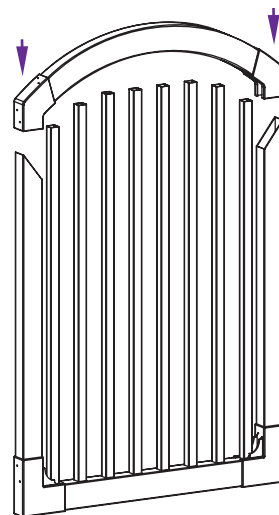
STEP 5.1

▶ Insert the Pickets (G), using the illustrated pattern, into the bottom rail.



STEP 5.2

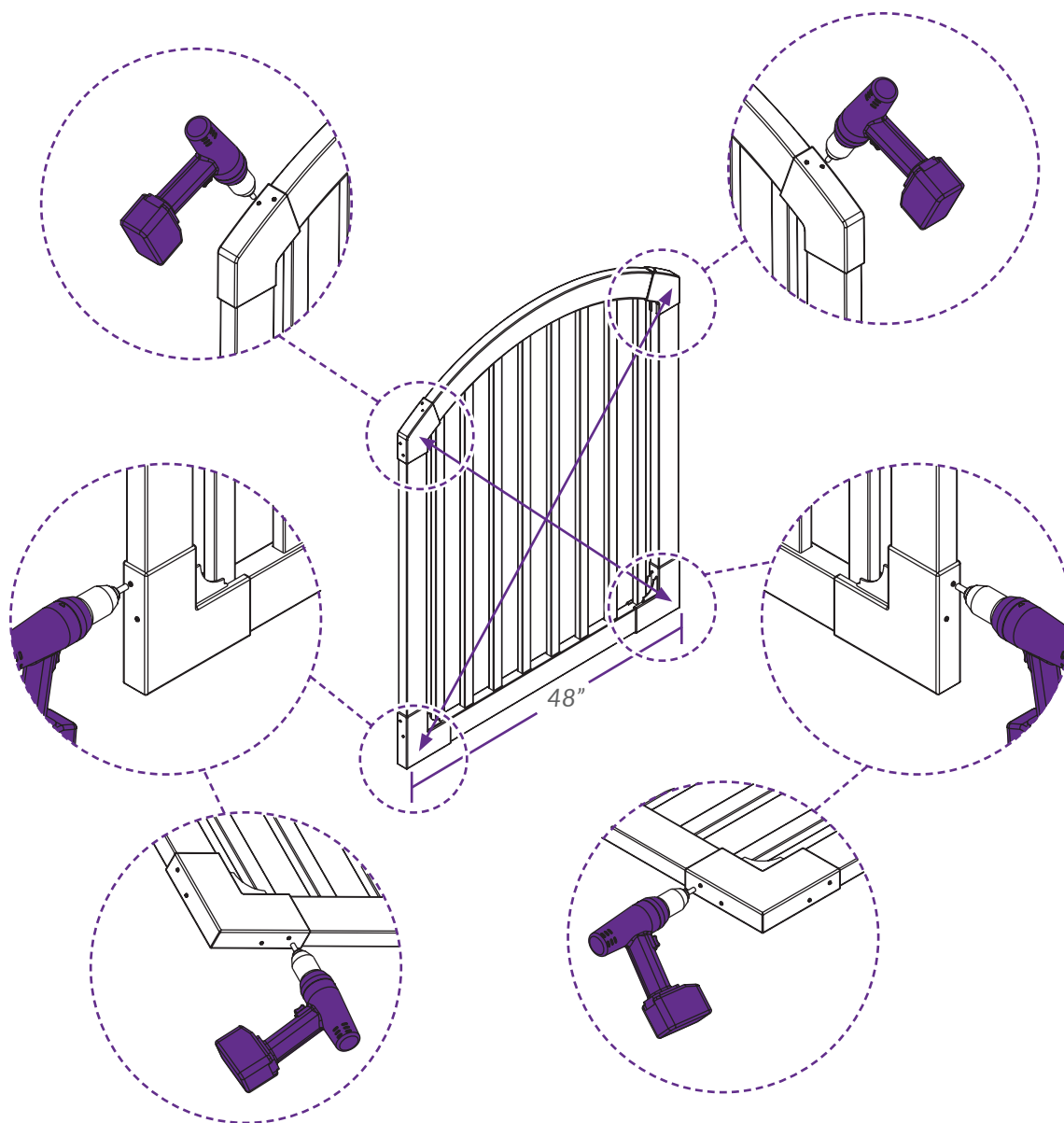
▶ Slide the gate arch over the pickets and vertical stiles.



STEP 6: SECURE GATE FRAME AND CORNER BRACKETS

STEP 6.1

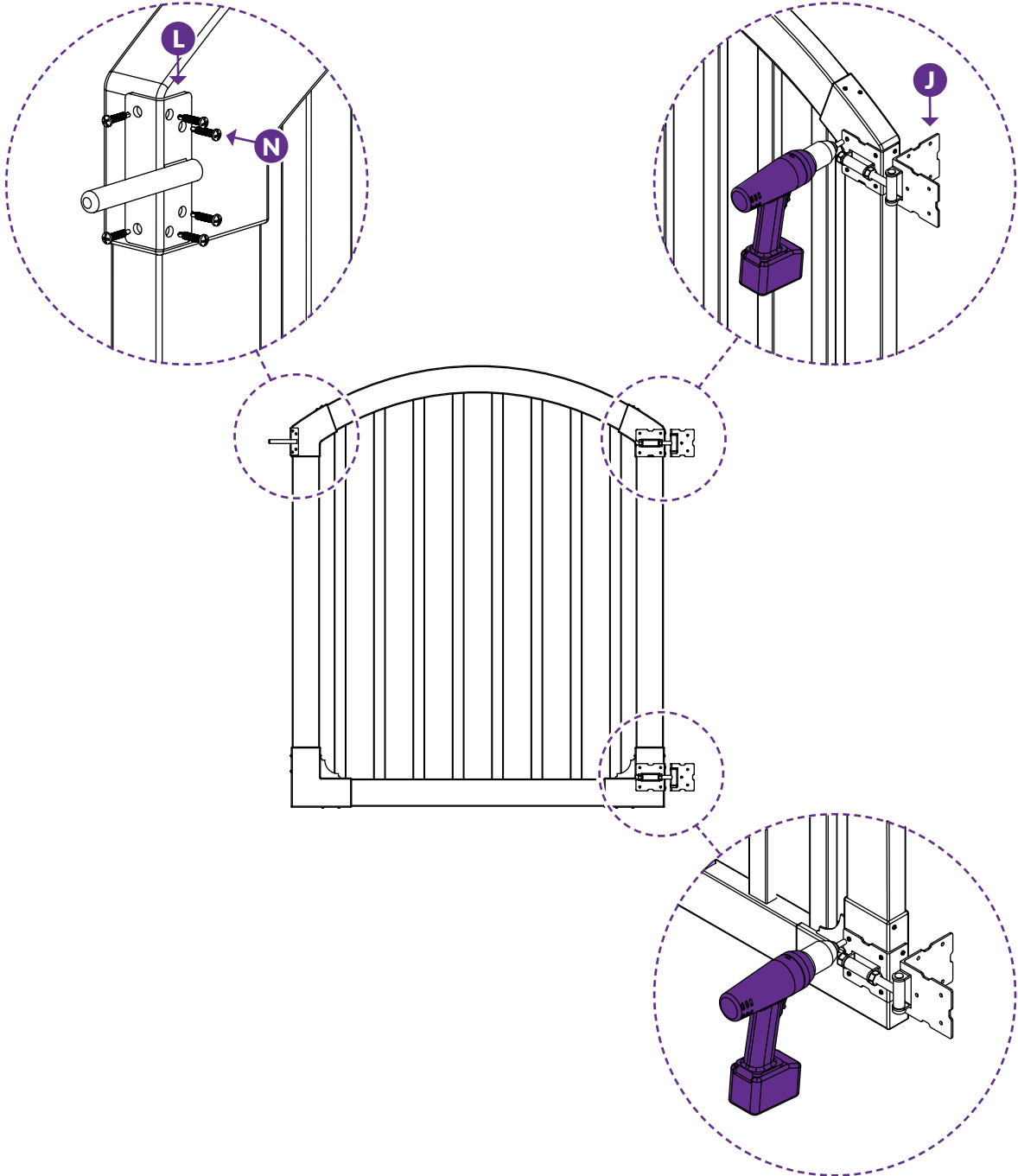
▶ Fasten the brackets with (12) 1½" white self-drilling stainless steel screws as illustrated. The corner-to-corner measurements must be the same to ensure that the gate is square and the width of the gate should be 48".



STEP 7: FASTEN HINGES AND GATE LATCH

STEP 7.1

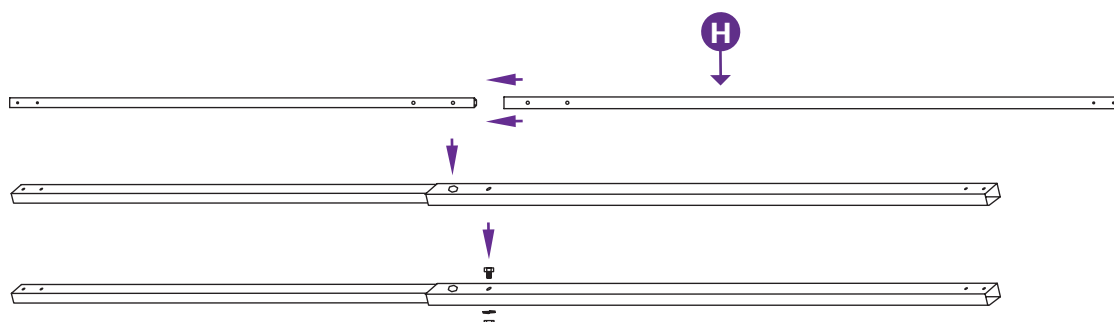
► Fasten the Hinges (**J**) and Latch Finger (**L**) onto the gate brackets using (18) total 1¼" Black Self-Drilling Stainless Steel Screws (**N**).



STEP 8: ASSEMBLE AND FASTEN GATE BRACE

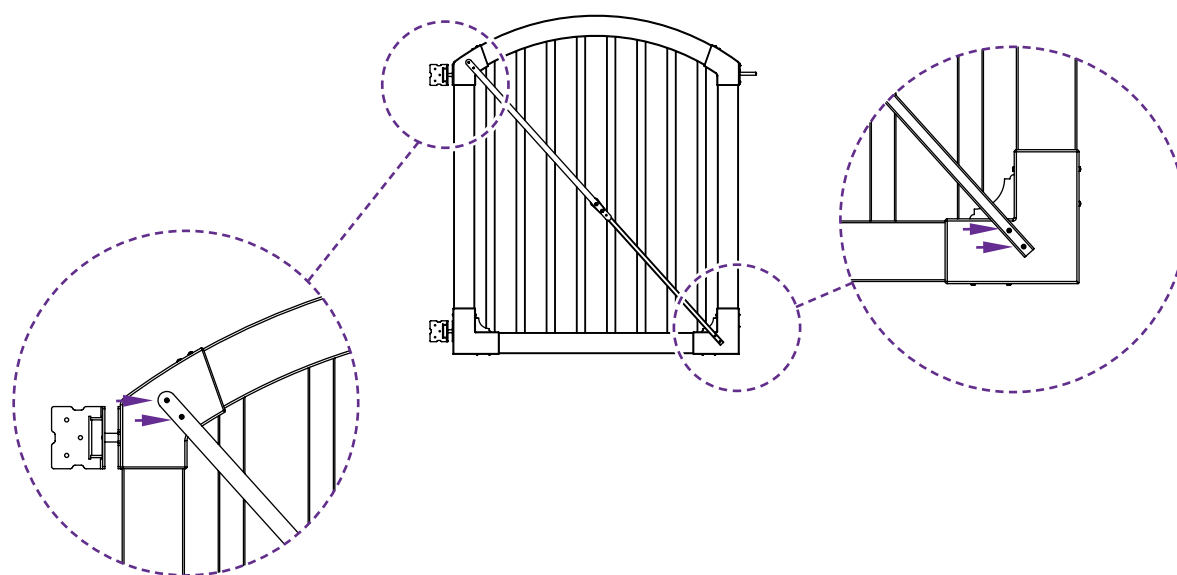
STEP 8.1

- ▶ Assemble the Gate Brace (**H**) by sliding the larger square tube over the smaller square tube. Align holes and install by using the included hardware.



STEP 8.2

- ▶ Double check that the gate is square and then screw the gate brace into place with the (4) self-drilling screws included with the gate brace.

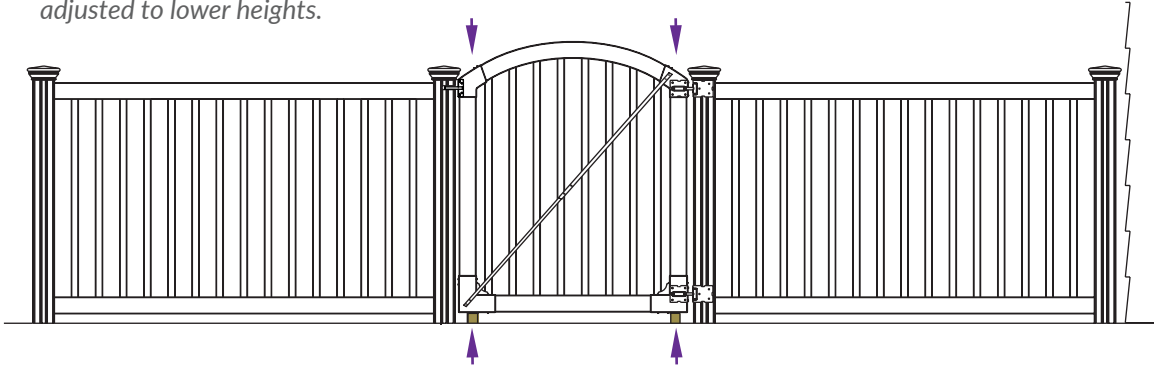


STEP 9: ALIGN GATE AND SECURE HINGES TO POST

STEP 9.1

- ▶ Align the gate to the horizontal fence rails.

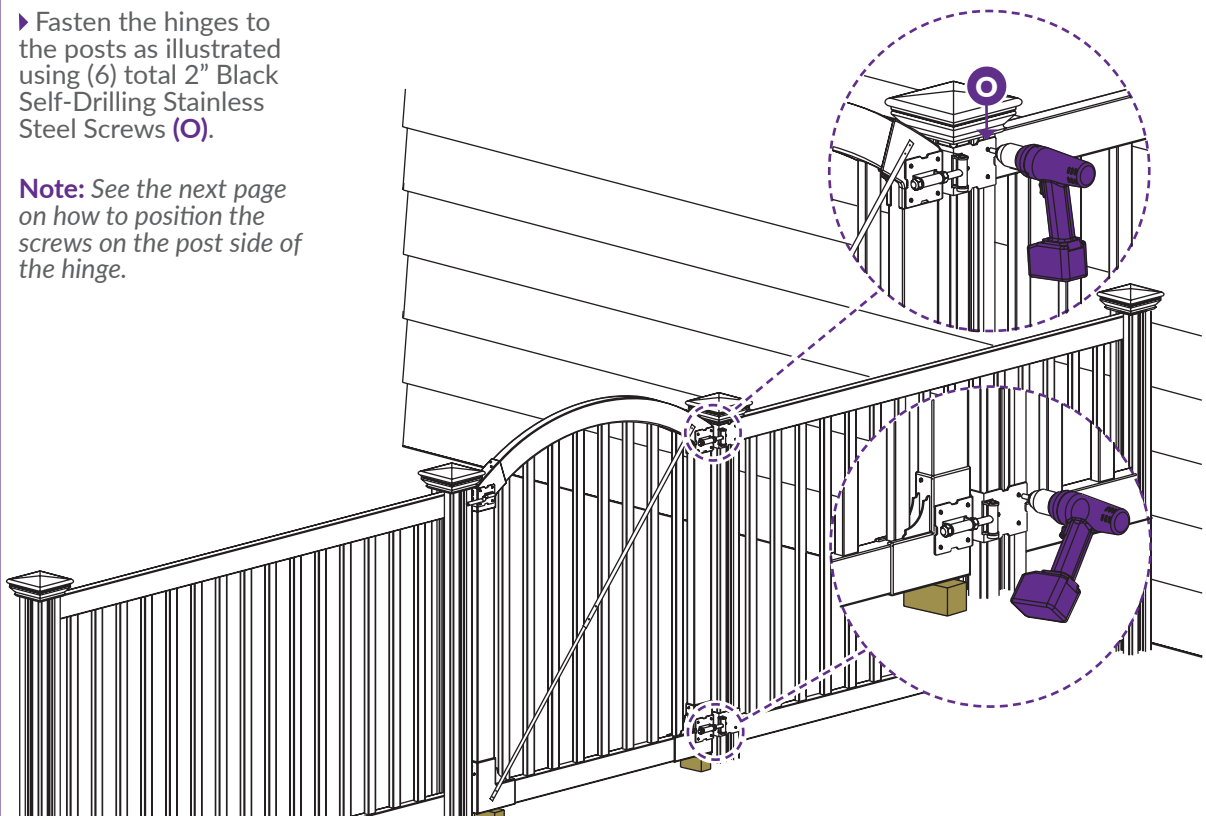
Note: Both the fence & the gate horizontal rail spacing can be adjusted to lower heights.



STEP 9.2A

- ▶ Fasten the hinges to the posts as illustrated using (6) total 2" Black Self-Drilling Stainless Steel Screws (O).

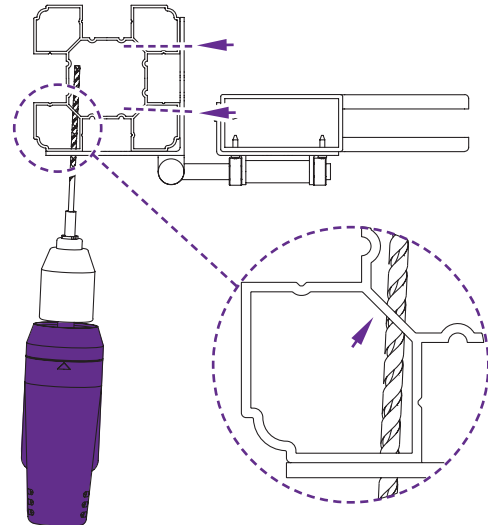
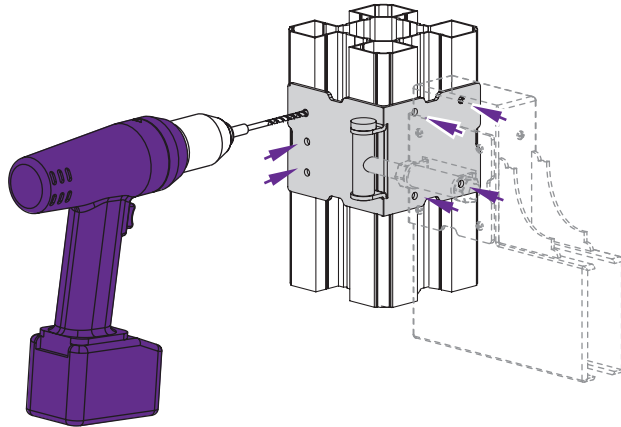
Note: See the next page on how to position the screws on the post side of the hinge.



STEP 9.2B

► **How to position the screws on the post side of the hinge:** Using a 1/8" drill bit, pre-drill the holes for the hinge screws as illustrated. Angle your drill slightly as illustrated.

Note: Swing the gate open and pre-drill four more holes for the hinge screws as illustrated.

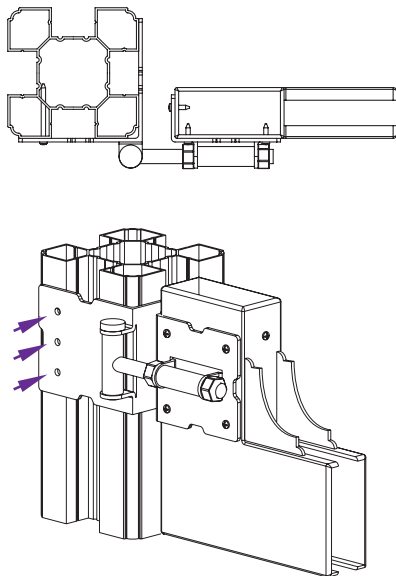


Top View

Note: Angle your drill to pierce into the angled portion of the post as illustrated.

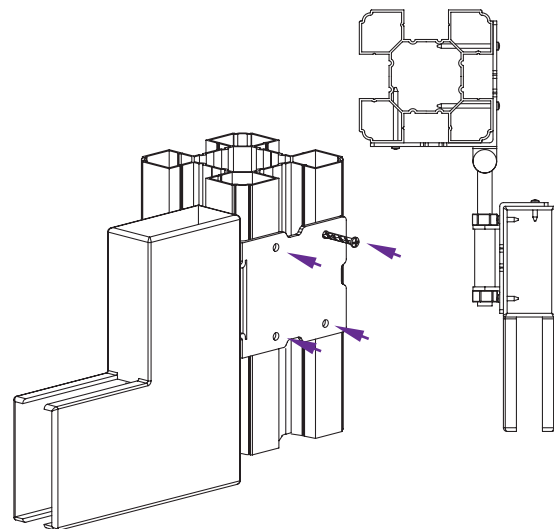
STEP 9.2C

► Fasten (3) 2" self-drilling stainless steel screws through the drilled holes.



STEP 9.2D

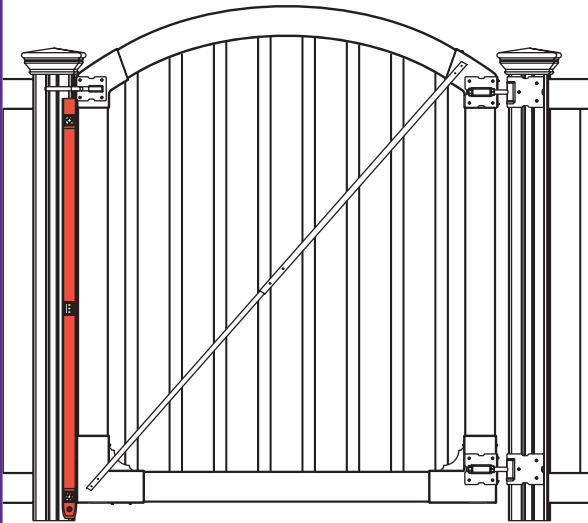
► Fasten (4) 2" self-drilling stainless steel screws through the drilled holes. Repeat steps 9.2C and 9.2D for the second hinge.



STEP 10: LEVEL GATE AND ADJUST HINGES

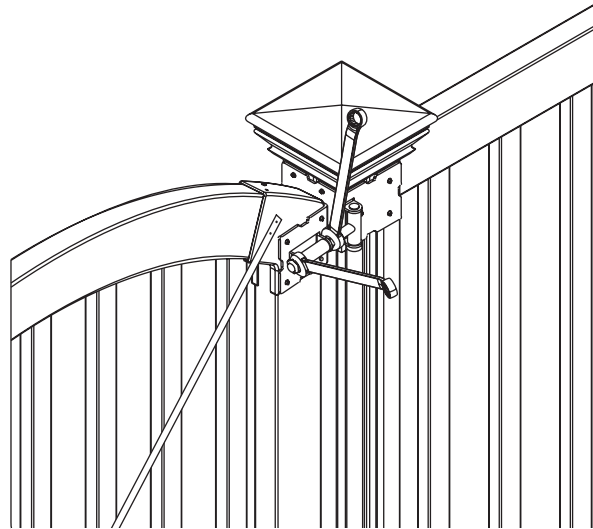
STEP 10.1 ▶

▶ Using a level, make sure that the gate fits and functions with its latching post.



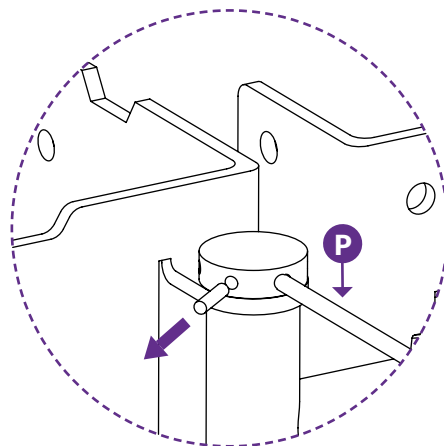
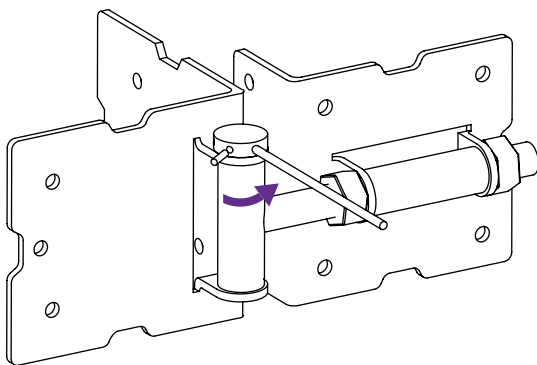
STEP 10.2 ▶

▶ The hinges can be adjusted moderately to bring gate into level alignment with post.



STEP 10.3 ▶

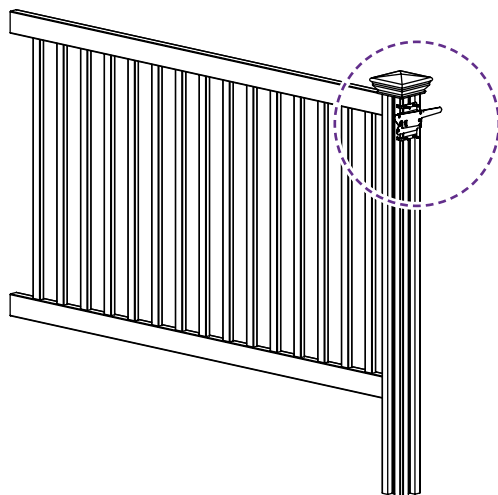
▶ To set the tension on the gate hinge, insert the 2 3/4" Gate Tension Pin (P) into one of the holes on the hinge and rotate it to release tension on the gate hinge to remove the pin.



STEP 11: INSTALL LATCH CATCH

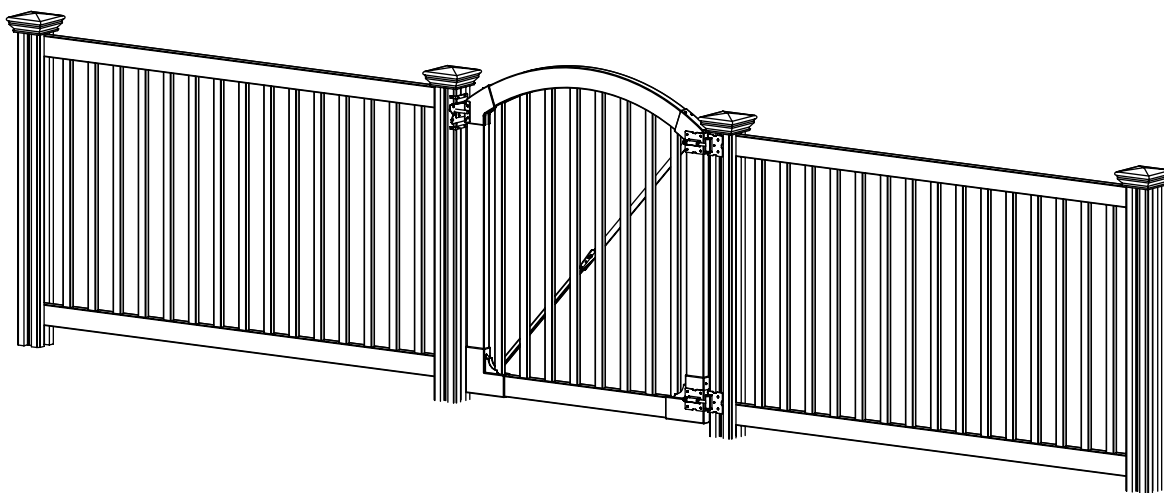
STEP 11.1 ▶

▶ Align and fasten the Latch Catch (K) with (6) 1¼" black self-drilling stainless steel screws to fit and function with the latch finger.



Note: The latch is designed for left and right hand applications. Temporarily remove the spring, bolt, and reverse the paddle portion as necessary.

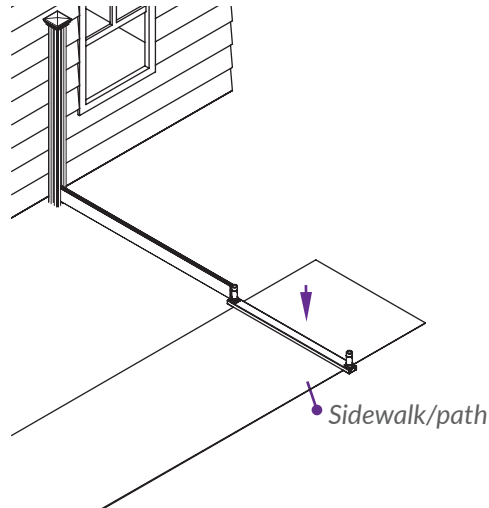
▶ Congratulations! You did it! Go grab a beverage of your choice, admire your handiwork, and show us what you got by entering our annual photo contest!



ALTERNATIVE APPLICATION: INSTALL OVER A SIDEWALK OR PATH

STEP 1.1 ▶

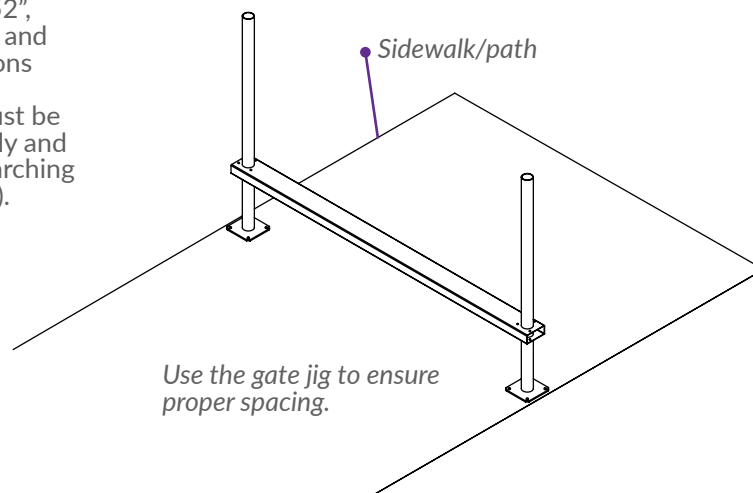
▶ **Option 1:** If the sidewalk is less than 52", use the gate jig as a temporary spacer. Proceed installing the panels according to the fence's install guide.



ALTERNATIVE APPLICATION: INSTALL OVER A SIDEWALK OR PATH

STEP 1.1 ▶

▶ **Option 2:** If the sidewalk is wider than 52", use surface mounts and follow the instructions included with them. (Surface mounts must be purchased separately and can be found by searching item SKU SB61000).



WamBam

Fun Name. Serious Fence.



6935 Reames Rd. Ste. K.
Charlotte, NC 28216



hmmm@wambamfence.com

704-892-5222
877-778-5733



WWW.WAMBAMFENCE.COM